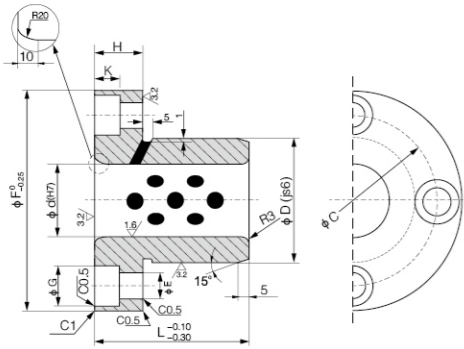


**CHB-HGB250 法兰固定导套**  
Flange fixed guide bush

材质	高力黄铜+石墨	材质	FC铸铁+石墨
Material	ZCuZn25Al6Fe3Mn3+ Graphite	Material	HT250#+ Graphite

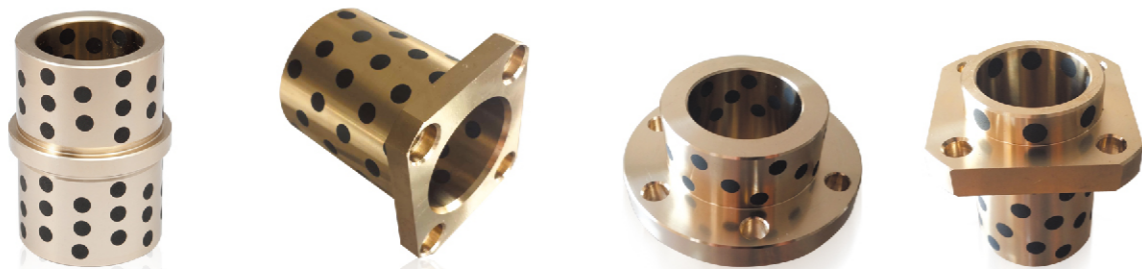


单位unit:mm

项目	代号	尺寸	ΦF	ΦD	Φd	H	L	ΦC	ΦE	ΦG	K
1	HGB250-30	90/50 × 30 × 50	90	50	30	20	50	70	11	17.5	10.8
2	HGB250-40	100/60 × 40 × 65	100	60	40	20	65	80	11	17.5	10.8
3	HGB250-50	125/75 × 50 × 80	125	75	50	20	80	100	11	17.5	10.8
4	HGB250-60	135/85 × 60 × 100	135	85	60	20	100	110	11	17.5	10.8
5	HGB250-80	170/110 × 80 × 130	170	110	80	25	130	140	14	20	13
6	HGB250-100	190/130 × 100 × 160	190	130	100	25	160	160	14	20	13

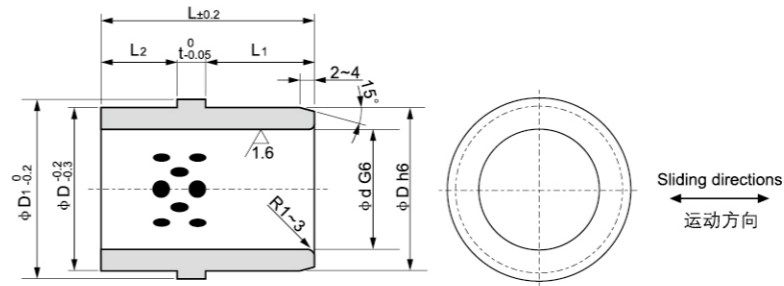
Catalog No. — d — D  
CHB-HGB250 — 30 — 50

**自润滑导套其他类型**  
Self-lubricating fixed guide other types



**CHB-JNA 自润滑导套**  
Self-lubricating guide bush

材质	高力黄铜+石墨
Material	ZCuZn25Al6Fe3Mn3+ Graphite



单位unit:mm

Standard No. 型号规格	d	L	d G6	D h6	D <sub>1</sub>	L <sub>1</sub>	L <sub>2</sub>	t	Standard No. 型号规格	d	L	d G6	D h6	D <sub>1</sub>	L <sub>1</sub>	L <sub>2</sub>	t
JNA-16 × 26	16	26						12	JNB-25 × 33	25	33	25	35	40	19		6
JNA-16 × 28	16	28						14	JNB-25 × 38	25	38	+0.020 +0.007	40	45	29		11
JNA-16 × 33	16	33	+0.017 +0.006	25	30			19	JNB-30 × 48	30	48		42	47	24		15
JNA-16 × 38	16	38						24	JNB-30 × 47	30	47	30	42	47	29		15
JNA-20 × 26	20	26			0 -0.013			12	JNB-30 × 52	30	52		42	47	29		15
JNA-20 × 28	20	28						14	JNB-35 × 63	35	63	35	45	50	39		16
JNA-20 × 33	20	33		30	35		10	19	JNB-40 × 60	40	60		50	55	42		20
JNA-20 × 38	20	38						24	JNB-40 × 70	40	70		50	55	42		20
JNA-25 × 26	25	26						12	JNB-40 × 78	40	78	40	50	55	42		8
JNA-25 × 28	25	28	+0.020 +0.007	35	40			14	JNB-40 × 57	40	57	+0.025 +0.009	50	55	42		25
JNA-25 × 33	25	33						19	JNB-40 × 67	40	67		55	60	29		30
JNA-25 × 38	25	38						24	JNB-45 × 88	45	88	45	55	60	59		21
JNA-30 × 33	30	33						14	JNB-45 × 95	45	95		55	60	69		21
JNA-30 × 38	30	38		40	45			19	JNB-50 × 67	50	67	50	62	67	29		30
JNA-30 × 46	30	46						24	JNB-50 × 87	50	87		62	67	39		40
JNA-35 × 38	35	38						19	JNB-60 × 67	60	67		74	82	29		30
JNA-35 × 43	35	43		46	50			24	JNB-60 × 87	60	87	+0.029 +0.010	74	82	39		40
JNA-35 × 48	35	48						29									
JNA-40 × 48	40	48	+0.025 +0.009	52	57			24									
JNA-40 × 53	40	53						29									
JNA-50 × 48	50	48			0 -0.019			24									
JNA-50 × 53	50	53		62	67			29									

Catalog No. — d — L  
CHB-JNA — 16 — 26