

CHB-2 边界润滑轴承
Boundary Lubricating Bushing

◎ **CHB-2 边界润滑轴承/Marginal Lubrication Bushing** (标准公差尺寸见第22页)

该产品以优质低碳钢为基体，中间烧结球形青铜层，表面轧制改性聚甲醛(POM)。在边界润滑条件下可长期使用而不加油，耐磨层表面有储油坑。产品广泛应用于冶金机械、矿山机械、水利机械、汽车、建筑机械、农用机械、轧钢行业等。

CHB-2 Marginal Pb-free self-lubricating bearing is used steel-backing as its structure, sintered porous bronze as its interlayer, surface inlaid the modified POM. Suitable for marginally lubricated and dryoperation on the conditions of lubrication indents grease. It has been widely applied to metallurgical machinery, Mine machinery, water conservancy machinery, vapor locomotive, building machinery, agriculture machinery, steel rolling industry etc.

性能指标 Performance index		数据 Data
最大承载 P Max Load Capacity	静载 Static load	250N/mm ²
	动载 Dynamic load	150N/mm ²
最高线速度 V Max Sliding Speed	脂润滑 Grease lubrication	2.5m/s
最高PV值 Max PV Value Limit	脂润滑 Grease lubrication	2.8N/mm ² · m/s
摩擦系数 μ Friction coefficient	脂润滑 Grease lubrication	0.05 ~ 0.25
使用温度 Working temperature		-40°C ~ +130°C
导热系数 Thermal conductivity		4W/m · K
热膨胀系数 Coefficient of thermal expansion		12 × 10 ⁻⁶ /K

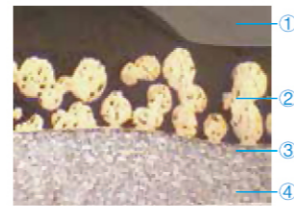
◎ **CHB-2Y 边界润滑无铅轴承/Marginal Lubricating Lead-Free Bushing**

该产品与CHB-2具有相同结构和使用性能，同时具有环保功能，在边界润滑条件下可长期使用而不加油，耐磨层表面有储油坑。产品广泛应用于冶金机械、矿山机械、水利机械、汽机车、建筑机械、农用机械、轧钢行业、食用机械、制药机械、烟草机械等。

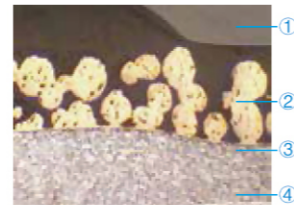
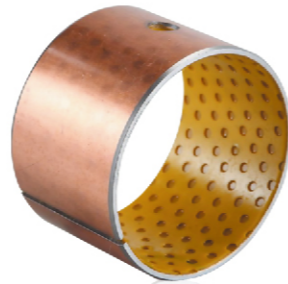
CHB-2Y has the same structure and functional performance with CHB-2. It can work long time without oil in the condition of prelubricated with lubrication indents. Widely applied to metallurgy machinery, Mining machinery, water conservancy machinery, automobile, building machinery, agriculture machinery, rolling steel industry etc.

技术参数: Technical Data

性能指标 Performance index		数据 Data
最大承载 P Max Load Capacity	静载 Static load	250N/mm ²
	动载 Dynamic load	150N/mm ²
最高线速度 V Max Sliding Speed	脂润滑 Grease lubrication	2.5m/s
最高PV值 Max PV Value Limit	脂润滑 Grease lubrication	3.6N/mm ² · m/s
摩擦系数 μ Friction coefficient	脂润滑 Grease lubrication	0.05 ~ 0.25
使用温度 Working temperature		-40°C ~ +130°C
导热系数 Thermal conductivity		4W/m · K
热膨胀系数 Coefficient of thermal expansion		12 × 10 ⁻⁶ /K

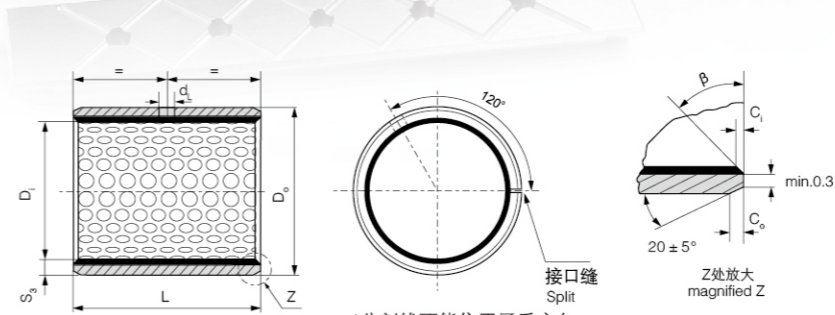


1. 聚甲醛与纤维混合物
2. 球形青铜粉
3. 钢背
4. 电镀层 (铜或锡)



1. 聚甲醛与纤维混合物
2. 球形青铜粉
3. 钢背
4. 电镀层 (铜或锡)

CHB-2 边界润滑轴承标准公制尺寸
Marginal-lubricating Bearing Standard Metric Size



*分割线不能位于承重方向
*Split line must not be located in load direction



单位unit:mm

轴径 尺寸	公差 h8	座孔		外径公差 D ₀	压装后 内孔公差 D _{1a}	配合 间隙 C _D	壁厚 S ₃	油孔 d _L	L _{0.40}												
		尺寸	公差 H7						10	15	20	25	30	35	40	45	50	60			
10	-0.022	12	+0.018	12	+0.065 +0.030	10.108 10.040	0.130 0.040			1010	1015	1020									
12	-0.027	14	+0.018	14	+0.065 +0.030	12.108 12.040				1210	1215	1220									
14	-0.027	16	+0.018	16	+0.065 +0.030	14.108 14.040	0.135 0.040			1415	1420										
15	-0.027	17	+0.018	17	+0.065 +0.030	15.108 15.040	0.040	0.955		1515	1520	1525									
16	-0.027	18	+0.018	18	+0.065 +0.030	16.108 16.040		4		1615	1620	1625									
18	-0.027	20	+0.021	20	+0.075 +0.035	18.111 18.040	0.138 0.040			1815	1820	1825									
20	-0.033	23	+0.021	23	+0.075 +0.035	20.131 20.050				2015	2020	2025	2030								
22	-0.033	25	+0.021	25	+0.075 +0.035	22.131 22.050	0.164 0.050	1.475 1.445		2215		2225									
25	-0.033	28	+0.021	28	+0.075 +0.035	25.131 25.050				2515	2520	2525	2530								
28	-0.033	32	+0.025	32	+0.085 +0.045	28.155 28.060	0.188		6			2820	2830								
30	-0.033	34	+0.025	34	+0.085 +0.045	30.155 30.060	0.060	1.970 1.935				3020	3025	3030		3040					
35	-0.039	39	+0.025	39	+0.085 +0.045	35.155 35.060	0.194					3520	3530	3535	3540						
40	-0.039	44	+0.025	44	+0.085 +0.045	40.155 40.060	0.060					4020	4030	4040	4050						
45	-0.039	50	+0.025	50	+0.085 +0.045	45.195 45.080	0.234 0.080					4520	4530	4540	4545	4550					
50	-0.039	55	+0.030	55	+0.100 +0.055	50.200 50.080	0.239 0.080	2.460 2.415	8					5030	5040	5050	5060				
55	-0.046	60	+0.030	60	+0.100 +0.055	55.200 55.080	0.246							5530	5540	5550	5560				
60	-0.046	65	+0.030	65	+0.100 +0.055	60.200 60.080								6030	6040	6050	6060				

Catalog No. — d — L
CHB-2 — 15 — 15