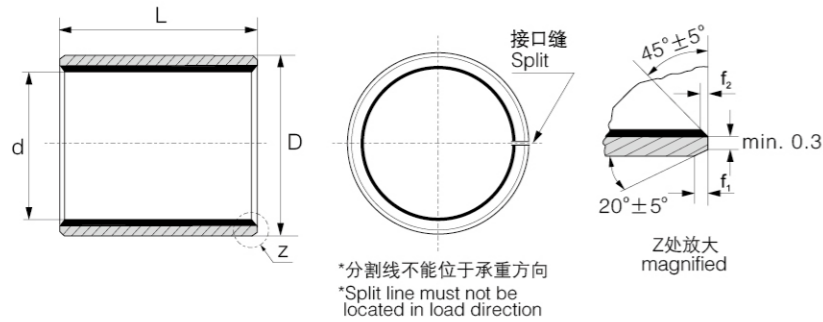


CHB-1/1B/1S/1T/1P/1D标准公差尺寸表
Standard Metric Size



单位unit:mm

| 尺寸 | 公差 f7 | 尺寸 | 公差 H7 | 外径公差 D _o | 压装后 内孔公差 D _{i,a} | 壁厚 S ₃ | f ₁ | f ₂ | L ⁰ _{-0.40} (d ≤ Φ28 L-0.30 d > Φ30 L-0.40) | | | | | | | | | | | |
|----|------------------|-----|----------|------------------------|---------------------------------|----------------------|----------------|----------------|--|------|------|------|------|------|------|------|------|----|--|--|
| | | | | | | | | | 6 | 8 | 10 | 12 | 15 | 20 | 25 | 30 | 40 | 50 | | |
| 2 | 0 -0.006 | 3.5 | +0.008 | 3.5 | +0.055 +0.025 | 0.750 | 0.4 | 0.3 | | | | | | | | | | | | |
| 4 | 0 -0.008 | 5.5 | +0.008 | 5.5 | +0.055 +0.025 | 0.730 | | | 0406 | 0408 | | | | | | | | | | |
| 5 | -0.010 -0.022 | 7 | +0.015 | 7 | +0.055 +0.025 | | | | 0506 | 0508 | 0510 | | | | | | | | | |
| 6 | -0.010 -0.022 | 8 | +0.015 | 8 | +0.055 +0.025 | | | | 0606 | 0608 | 0610 | | | | | | | | | |
| 8 | -0.013 -0.028 | 10 | +0.015 | 10 | +0.055 +0.025 | | | | 0806 | 0808 | 0810 | 0812 | 0815 | | | | | | | |
| 10 | -0.013 -0.028 | 12 | +0.018 | 12 | +0.065 +0.030 | | | | 1006 | 1008 | 1010 | 1012 | 1015 | 1020 | | | | | | |
| 12 | -0.016 -0.034 | 14 | +0.018 | 14 | +0.065 +0.030 | | | | 1206 | 1208 | 1210 | 1212 | 1215 | 1220 | 1225 | | | | | |
| 13 | -0.016 -0.034 | 15 | +0.018 | 15 | +0.065 +0.030 | 1.005 0.980 | 0.6 | 0.3 | | | 1310 | | | 1320 | | | | | | |
| 14 | -0.016 -0.034 | 16 | +0.018 | 16 | +0.065 +0.030 | | | | | 1410 | 1412 | 1415 | 1420 | 1425 | | | | | | |
| 15 | -0.016 -0.034 | 17 | +0.018 | 17 | +0.065 +0.030 | | | | | 1510 | 1512 | 1515 | 1520 | 1525 | | | | | | |
| 16 | -0.016 -0.034 | 18 | +0.018 | 18 | +0.065 +0.030 | | | | | 1610 | 1612 | 1615 | 1620 | 1625 | | | | | | |
| 17 | -0.016 -0.034 | 19 | +0.021 | 19 | +0.075 +0.035 | | | | | 1710 | 1712 | | 1720 | | | | | | | |
| 18 | -0.016 -0.034 | 20 | +0.021 | 20 | +0.075 +0.035 | | | | | 1810 | 1812 | 1815 | 1820 | 1825 | | | | | | |
| 20 | -0.020 -0.041 | 23 | +0.021 | 23 | +0.075 +0.035 | | | | | 2010 | 2012 | 2015 | 2020 | 2025 | 2030 | | | | | |
| 22 | -0.020 -0.041 | 25 | +0.021 | 25 | +0.075 +0.035 | 1.505 1.475 | 0.6 | 0.4 | | | 2210 | 2212 | 2215 | 2220 | 2225 | 2230 | | | | |
| 24 | -0.020 -0.041 | 27 | +0.021 | 27 | +0.075 +0.035 | | | | | | | 2415 | 2420 | 2425 | 2430 | | | | | |
| 25 | -0.020 -0.041 | 28 | +0.021 | 28 | +0.075 +0.035 | | | | | 2510 | 2512 | 2515 | 2520 | 2525 | 2530 | 2540 | 2550 | | | |
| 28 | -0.020 -0.041 | 32 | +0.025 | 32 | +0.085 +0.045 | | | | | | | 2815 | 2820 | 2825 | 2830 | 2840 | | | | |
| 30 | -0.020 -0.041 | 34 | +0.025 | 34 | +0.085 +0.045 | | | | | 3012 | 3015 | 3020 | 3025 | 3030 | 3040 | | | | | |
| 32 | -0.025 -0.050 | 36 | +0.025 | 36 | +0.085 +0.045 | 2.005 1.970 | 1.2 | 0.4 | | | | | 3220 | | 3230 | 3240 | | | | |
| 35 | -0.025 -0.050 | 39 | +0.025 | 39 | +0.085 +0.045 | | | | | | 3512 | 3515 | 3520 | 3525 | 3530 | 3540 | 3550 | | | |
| 38 | -0.025 -0.050 | 42 | +0.025 | 42 | +0.085 +0.045 | | | | | | 3815 | | | | 3830 | 3840 | | | | |
| 40 | -0.025 -0.050 | 44 | +0.025 | 44 | +0.085 +0.045 | | | | | | 4012 | | 4020 | 4025 | 4030 | 4040 | 4050 | | | |

Catalog No. — d — L
CHB-1 — 15 — 10

CHB-1/1B/1S/1T/1P/1D标准公差尺寸表
Standard Metric Size

单位unit:mm

注: 轴径75以上公差为h8

| 尺寸 | 公差 f7 | 尺寸 | 公差 H7 | 外径公差 D _o | 压装后 内孔公差 D _{i,a} | 壁厚 S ₃ | f ₁ | f ₂ | L ⁰ _{-0.40} (d ≤ Φ28 L-0.30 d > Φ30 L-0.40) | | | | | | | | | | | |
|-----|------------------|-----|----------|------------------------|---------------------------------|----------------------|----------------|----------------|--|------|------|------|-------|-------|-------|-------|--------|--------|--------|--|
| | | | | | | | | | 20 | 25 | 30 | 40 | 50 | 60 | 70 | 80 | 100 | 115 | | |
| 45 | -0.025 -0.050 | 50 | +0.025 | 50 | +0.085 +0.045 | | | | 4520 | 4525 | 4530 | 4540 | 4550 | | | | | | | |
| 50 | -0.025 -0.050 | 55 | +0.030 | 55 | +0.100 +0.055 | | | | 5020 | | 5030 | 5040 | 5050 | 5060 | | | | | | |
| 55 | -0.030 -0.060 | 60 | +0.030 | 60 | +0.100 +0.055 | | | | | | 5530 | 5540 | 5550 | 5560 | | | | | | |
| 60 | -0.030 -0.060 | 65 | +0.030 | 65 | +0.100 +0.055 | 2.505 2.460 | 1.8 | 0.6 | | | 6030 | 6040 | 6050 | 6060 | 6070 | | | | | |
| 65 | -0.030 -0.060 | 70 | +0.030 | 70 | +0.100 +0.055 | | | | | | 6530 | 6540 | 6550 | 6560 | 6570 | | | | | |
| 70 | -0.030 -0.060 | 75 | +0.030 | 75 | +0.100 +0.055 | | | | | | | 7040 | 7050 | 7060 | 7070 | 7080 | | | | |
| 75 | -0.030 -0.060 | 80 | +0.030 | 80 | +0.100 +0.055 | | | | | | 7530 | 7540 | 7550 | 7560 | 7570 | 7580 | | | | |
| 80 | -0.045 | 85 | +0.035 | 85 | +0.120 +0.070 | | | | | | | 8040 | 8050 | 8060 | 8070 | 8080 | 80100 | | | |
| 85 | -0.054 | 90 | +0.035 | 90 | +0.120 +0.070 | | | | | | | 8540 | | 8560 | | 8580 | 85100 | | | |
| 90 | -0.054 | 95 | +0.035 | 95 | +0.120 +0.070 | | | | | | | 9040 | 9050 | 9060 | 9080 | 90100 | | | | |
| 95 | -0.054 | 100 | +0.035 | 100 | +0.120 +0.070 | 2.490 2.440 | 1.8 | 0.6 | | | | 9550 | 9560 | | 9580 | 95100 | | | | |
| 100 | -0.054 | 105 | +0.035 | 105 | +0.120 +0.070 | | | | | | | | 10050 | 10060 | | 10080 | | | 100115 | |
| 105 | -0.054 | 110 | +0.035 | 110 | +0.120 +0.070 | | | | | | | | 10560 | | 10580 | | | 105115 | | |
| 110 | -0.054 | 115 | +0.035 | 115 | +0.120 +0.070 | | | | | | | | | 11060 | | 11080 | | | 110115 | |
| 120 | -0.054 | 125 | +0.040 | 125 | +0.170 +0.100 | | | | | | | | | 12060 | | 12080 | 120100 | | | |
| 125 | -0.063 | 130 | +0.040 | 130 | +0.170 +0.100 | | | | | | | | | 12560 | | | 125100 | 125115 | | |
| 130 | -0.063 | 135 | +0.040 | 135 | +0.170 +0.100 | 2.465 | 1.8 | 0.6 | | | | | | 13060 | | 13080 | 130100 | | | |
| 140 | -0.063 | 145 | +0.040 | 145 | +0.170 +0.100 | 2.415 | 1.8 | 0.6 | | | | | | 14060 | | 14080 | 140100 | | | |
| 150 | -0.063 | 155 | +0.040 | 155 | +0.170 +0.100 | | | | | | | | | 15060 | | 15080 | 150100 | | | |
| 160 | -0.063 | 165 | +0.040 | 165 | +0.170 +0.100 | | | | | | | | | 16060 | | 16080 | 160100 | 160115 | | |
| 180 | -0.063 | 185 | +0.046 | 185 | +0.210 +0.130 | | | | | | | | | | | 18080 | 180100 | | | |
| 190 | -0.072 | 195 | +0.046 | 195 | +0.210 +0.130 | 2.465 | 1.8 | 0.6 | | | | | | | | 19080 | 190100 | | | |
| 200 | -0.072 | 205 | +0.046 | 205 | +0.210 +0.130 | 2.415 | 1.8 | 0.6 | | | | | | | | 20080 | 200100 | | | |
| 220 | -0.072 | 225 | +0.046 | 225 | +0.210 +0.130 | | | | | | | | | | 20060 | 22080 | 220100 | | | |
| 250 | -0.072 | 255 | +0.052 | 255 | +0.260 +0.170 | | | | | | | | | | | | 25080 | 250100 | | |
| 260 | -0.081 | 265 | +0.052 | 265 | +0.260 +0.170 | 2.465 | 1.8 | 0.6 | | | | | | | | | 26080 | 260100 | | |
| 280 | -0.081 | 285 | +0.052 | 285 | +0.260 +0.170 | 2.415 | 1.8 | 0.6 | | | | | | | | | 28080 | 280100 | | |
| 300 | -0.081 | 305 | +0.052 | 305 | +0.260 +0.170 | | | | | | | | | | | | | | | |